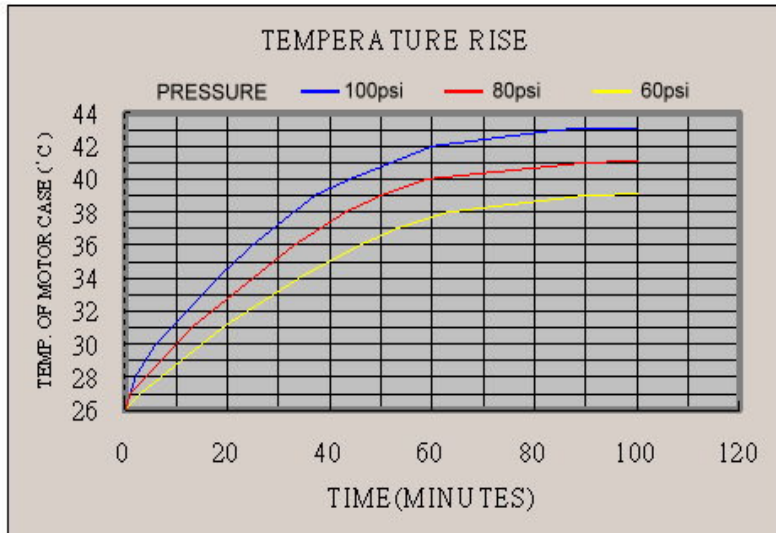
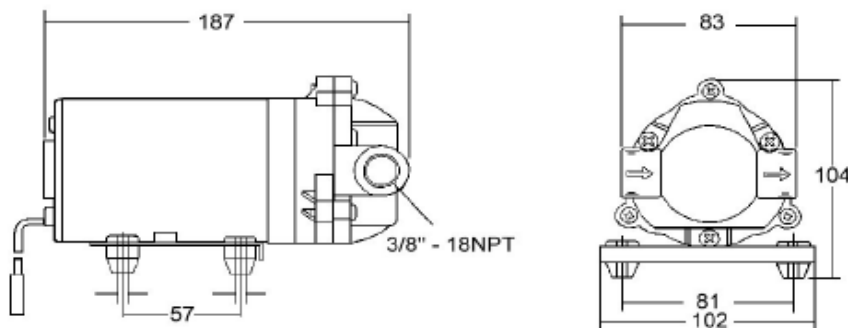


仕様情報:DC Pump8050L



**SPECIFICATIONS**

- MODEL NUMBER: 8050L
- PUMP DESIGN: positive displacement three chamber diaphragm pump
- CAM: 2.3 degree
- MOTOR: permanent magnet
- VOLTAGE: 24VDC
- PRESSURE SWITCH: none
- LIQUID TEMPERATURE: 75 °C max.
- PRIME: self-priming up to 2 meter
- PORTS: 3/8"-18 NPT female
- MATERIAL OF CONSTRUCTION: PLASTICS - NYLON, VALVES - EPDM, DIAPHRAGM - SANTOPRENE
- NET WEIGHT: 1.83 kg
- DUTY CYCLE: continuous
- TYPICAL APPLICATIONS: R.O. booster pump and water delivery
- BYPASS: 125psi



INLET : 8 psi		
PRESSURE (psi)	FLOW (L/min)	CURRENT (amps)
Open flow	1.20	0.21
10	1.09	0.26

20	1.01	0.30
30	0.95	0.36
40	0.91	0.42
50	0.86	0.49
60	0.81	0.54
70	0.72	0.60
80	0.58	0.65
90	0.35	0.70
100	0.17	0.75
125	BY PASS	0.85
ALL DATA BASED ON TESTING WITH WATER		
VOLTAGE (VOLTS): 24VDC / 1.2A / ADAPTOR		
NOTE: PERFORMANCE WILL VARY WITH VARIATION IN SERVICE VOLTAGE AND TRANSFORMER OUTPUT		

### 仕様情報: DC Pump 8200L

#### SPECIFICATIONS

- MODEL NUMBER: 8200L
- PUMP DESIGN: positive displacement three chamber diaphragm pump
- CAM: 3 degree
- MOTOR: permanent magnet
- VOLTAGE: 24VDC
- PRESSURE SWITCH: none
- LIQUID TEMPERATURE: 75 °C max.
- PRIME: self-priming up to 2 meter
- PORTS: 3/8"-18 NPT female
- MATERIAL OF CONSTRUCTION: PLASTICS - NYLON, VALVES - EPDM, DIAPHRAGM - SANTOPRENE
- NET WEIGHT: 2.09 kg
- DUTY CYCLE: continuous
- TYPICAL APPLICATIONS: R.O. booster pump and water delivery
- BYPASS: 140 PSI

INLET : 8 psi		
PRESSURE (psi)	FLOW (L/min)	CURRENT (amps)
Open flow	3.00	0.26
10	2.65	0.34
20	2.40	0.46
30	2.30	0.58
40	2.15	0.70
50	2.00	0.80
60	1.85	0.91
70	1.75	1.02
80	1.65	1.12
90	1.40	1.22
100	1.30	1.33
110	0.85	1.43
120	0.35	1.54
130	0.12	1.66
140	By pass	1.74

ALL DATA BASED ON TESTING WITH WATER

VOLTAGE (VOLTS): 24VDC / 2A / ADAPTOR

NOTE: PERFORMANCE WILL VARY WITH VARIATION IN SERVICE  
VOLTAGE

AND TRANSFORMER OUTPUT