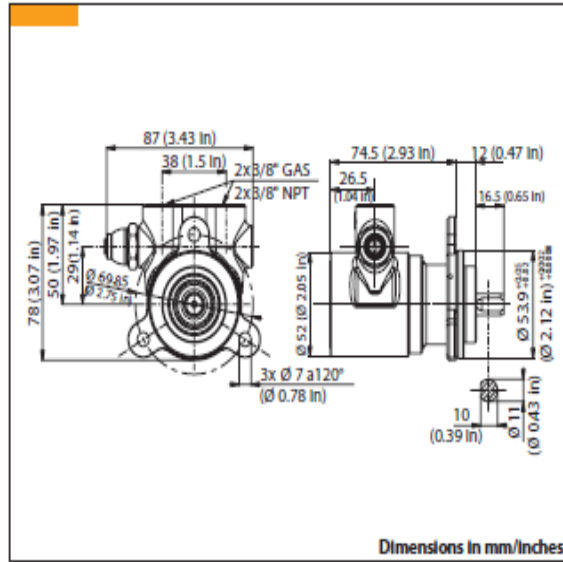
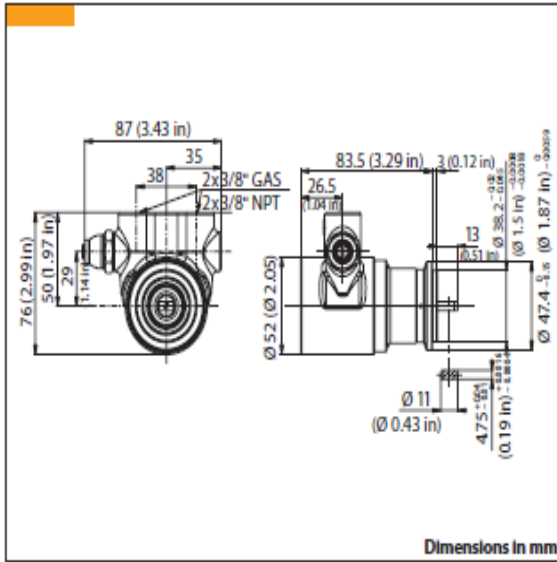
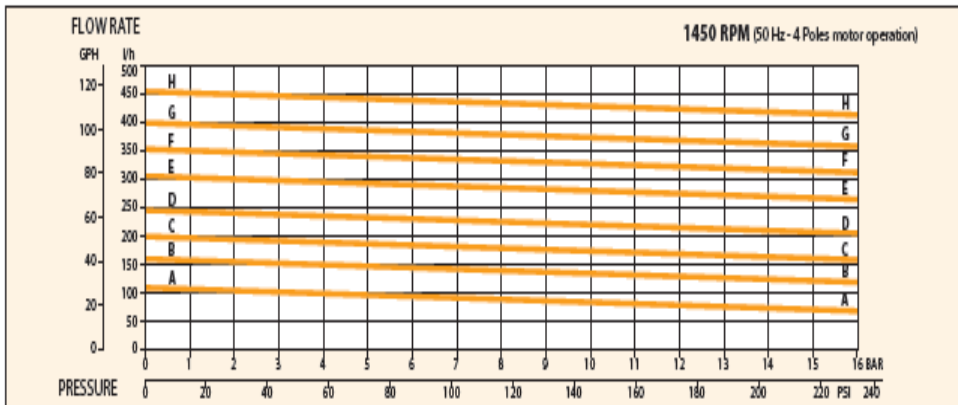


仕様情報:FOT ポンプ



Model PO/PA	0710	0711	0711F	110	111	111F	1510	01511	1511F	210	211	211F
Vh at 2 BAR		100			150			190			236	
Vh at 7 BAR		89			139			179			225	
Vh at 14 BAR		70			120			160			206	
Figure		A-A			B-B			C-C			D-D	
Mount	Clamp	Clamp	Flange	Clamp	Clamp	Flange	Clamp	Clamp	Flange	Clamp	Clamp	Flange
Bypass	NO	YES	YES	NO	YES	YES	NO	YES	YES	NO	YES	YES

Model PO/PA	2510	2511	2511F	310	311	311F	3510	3511	3511F	410	411	411F
Vh at 2 BAR		295			345			390			445	
Vh at 7 BAR		284			334			379			434	
Vh at 14 BAR		265			315			360			415	
Figure		E-E			F-F			G-G			H-H	
Mount	Clamp	Clamp	Flange	Clamp	Clamp	Flange	Clamp	Clamp	Flange	Clamp	Clamp	Flange
Bypass	NO	YES	YES	NO	YES	YES	NO	YES	YES	NO	YES	YES



Model PO/PA	0710	0711	0711F	110	111	111F	1510	01511	1511F	210	211	211F
GPH at 20 PSI		34			49			64			78	
GPH at 100 PSI		30			45			60			74	
GPH at 200 PSI		24			39			54			68	
Figure		A'-A'			B'-B'			C'-C'			D'-D'	
Mount	Clamp	Clamp	Flange	Clamp	Clamp	Flange	Clamp	Clamp	Flange	Clamp	Clamp	Flange
Bypass	NO	YES	YES	NO	YES	YES	NO	YES	YES	NO	YES	YES

Model PO/PA	2510	2511	2511F	310	311	311F	3510	3511	3511F	410	411	411F
l/h at 2 BAR		95			111			127			144	
l/h at 7 BAR		91			107			123			140	
l/h at 14 BAR		85			101			117			134	
Figure		E'-E'			F'-F'			G'-G'			H'-H'	
Mount	Clamp	Clamp	Flange	Clamp	Clamp	Flange	Clamp	Clamp	Flange	Clamp	Clamp	Flange
Bypass	NO	YES	YES	NO	YES	YES	NO	YES	YES	NO	YES	YES

