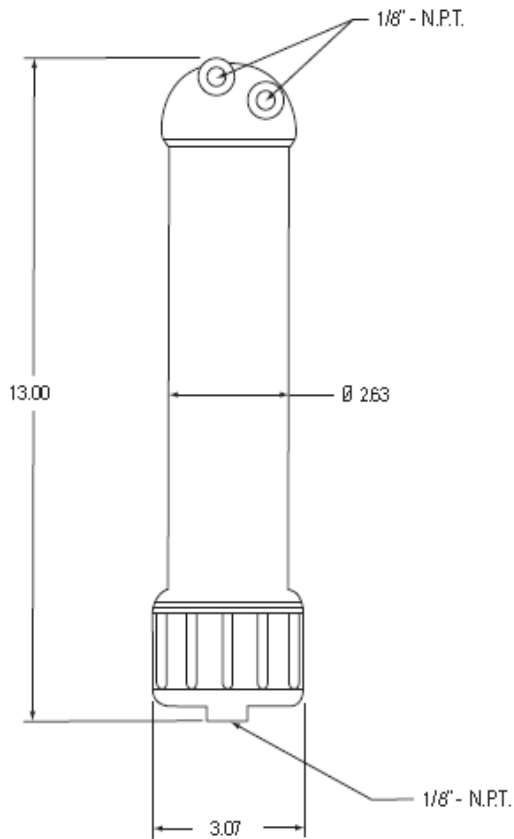


仕様情報:USW メンブレンハウジング



Materials of Construction

Housing	Reinforced Polypropylene
Finish	Reinforced Polypropylene
O-Ring	EPDM
Maximum Temperature	125°F (51.7°C)
Maximum Pressure	125 psi (8.62 bar)

CAUTION: Protect against freezing to prevent cracking of the filter and water leakage.